

# PERMANENT SURVEY MONUMENT #2007-26

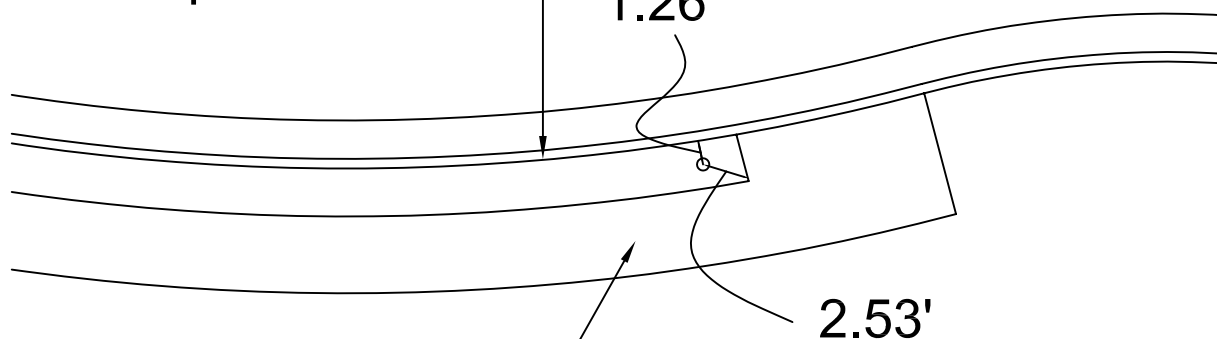
CITY OF STAUNTON, VIRGINIA

## Collinswood Drive

75.37' to Craigmont Road →

Top Back Curb

1.26'



Sidewalk

2.53'

Scale: 1" = 10'



### Location:

N: 6748504.420  
E: 11312944.770

LAT: 38°10'41.59673"N  
LONG: 79°05'28.66617"W

ORTHOMETRIC HEIGHT: 1647.85'

### Directions:

Capped iron rod set near the beginning of sidewalk on the South side of Collinswood Drive near the entrance to Collinswood subdivision.

### Notes:

1. This monument is a capped iron rod reading, "City of Staunton Survey Control."
2. The position of this monument is based on "2006 City of Staunton Permanent Control" data provided by the City of Staunton.

# TERRA

Engineering and Land Solutions, PC

415 4th Street, NE

Charlottesville, Virginia 22902

ph. 434-244-0600 fax. 434-975-0900